

Distributed I/O device - AXL E IOL DO8 M12 6P - 2702659

Please be informed that the data shown in this PDF Document is generated from our Online Catalog. Please find the complete data in the user's documentation. Our General Terms of Use for Downloads are valid (<http://phoenixcontact.com/download>)



Axioline E, Digital output device, Digital outputs: 8, 24 V DC, connection method: 3-conductor, Plastic housing, degree of protection: IP65/IP67

Product Description


The Axioline E digital output device is connected to an IO-Link master via an IO-Link B-port. It is used to output digital signals via IO-Link. Use within different networks is possible via the IO-Link master.

Your advantages

- ✓ Connection to an IO-Link master using M12 connectors (A-coded, 4-pos.)
- ✓ Type B port with additional power supply
- ✓ IO-Link specification V1.1.2
- ✓ Connection up to eight outputs with M12 connectors (A-coded, 5-pos.)
- ✓ Diagnostic and status indicators
- ✓ Short-circuit and overload protection of the sensor supply
- ✓ Device rating plate stored
- ✓ IP65/IP67 degree of protection



Key Commercial Data

Packing unit	1 pc
GTIN	 4 055626 279695
GTIN	4055626279695
Weight per Piece (excluding packing)	300.000 g
Custom tariff number	85176200
Country of origin	Germany

Distributed I/O device - AXL E IOL DO8 M12 6P - 2702659

Technical data

Note

Utilization restriction	EMC: class A product, see manufacturer's declaration in the download area
-------------------------	---

Dimensions

Width	60 mm
Height	141 mm
Depth	20 mm
Note on dimensions	The height is 170 mm including fixing clips. The depth is 30 mm including the connector.

Ambient conditions

Ambient temperature (operation)	-25 °C ... 60 °C
Ambient temperature (storage/transport)	-25 °C ... 70 °C
Permissible humidity (operation)	5 % ... 95 %
Permissible humidity (storage/transport)	5 % ... 95 %
Air pressure (operation)	70 kPa ... 106 kPa (up to 3000 m above sea level)
Air pressure (storage/transport)	70 kPa ... 106 kPa (up to 3000 m above sea level)
Degree of protection	IP65/IP67

Digital outputs

Output name	Digital outputs
Connection method	M12 connector
Connection technology	3-conductor
Number of outputs	8
Protective circuit	Overload protection, short-circuit protection of outputs Electronic
Output voltage	24 V DC
Nominal output voltage	24 V DC (from voltage U_A)
Output current	max. 500 mA (per port)
	max. 4 A (per device)
Nominal load, inductive	max. 12 VA (1.2 H, 48 Ω , with nominal voltage)
Nominal load, lamp	max. 12 W (at nominal voltage)
Nominal load, ohmic	max. 12 W (48 Ω , with nominal voltage)
Switching frequency	max. 1000 per second
Load min.	10 k Ω
Output voltage when switched off	max. 1 V
Output current when switched off	max. 300 μ A
Behavior with overload	Auto restart
Behavior with inductive overload	Output can be destroyed
Reverse voltage resistance to short pulses	limited protection up to 0.5 A for 1 s

Distributed I/O device - AXL E IOL DO8 M12 6P - 2702659

Technical data

Supply

Designation	Actuators (U _A)
Supply voltage	24 V DC (Nominal voltage)
Supply voltage range	19.2 V DC ... 30 V DC (including all tolerances, including ripple)
Current consumption	max. 500 mA (per port)

General

Housing material	Pocan®
Mounting type	Wall mounting
Color	anthracite grey RAL 7016
Net weight	302 g

Electrical isolation

Test section	24 V supply (logic supply)/24 V supply (actuator supply) 500 V AC 50 Hz 1 min.
	24 V supply (logic supply) / FE 500 V AC 50 Hz 1 min.
	24 V supply (actuator supply)/FE 500 V AC 50 Hz 1 min.

Standards and Regulations

Immunity to ESD	Noise immunity test in accordance with EN 61000-6-2 Electrostatic discharge (ESD) EN 61000-4-2/IEC 61000-4-2 Criterion B, 6 kV contact discharge, 8 kV air discharge
Immunity to EF	Noise immunity test in accordance with EN 61000-6-2 Electromagnetic fields EN 61000-4-3/IEC 61000-4-3 Criterion A, Field intensity: 10 V/m
Immunity to burst	Noise immunity test in accordance with EN 61000-6-2 Fast transients (burst) EN 61000-4-4/IEC 61000-4-4 Criterion B, 2 kV
Immunity to conducted interference	Noise immunity test in accordance with EN 61000-6-2 Conducted interference EN 61000-4-6/IEC 61000-4-6 Criterion A, Test voltage 10 V
Interference emission	Noise emission test as per EN 61000-6-4 Class A
Mechanical tests	Vibration resistance in acc. with EN 60068-2-6/IEC 60068-2-6 5g
	Shock in acc. with EN 60068-2-27/IEC 60068-2-27 30g, 11 ms period, half-sine shock pulse
	Continuous shock according to EN 60068-2-27/IEC 60068-2-27 10g
Protection class	III (IEC 61140, EN 61140, VDE 0140-1)

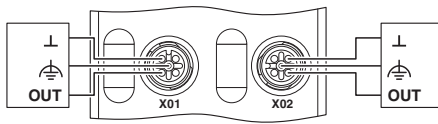
Environmental Product Compliance

REACH SVHC	Lead 7439-92-1
China RoHS	Environmentally Friendly Use Period = 50 years
	For details about hazardous substances go to tab "Downloads", Category "Manufacturer's declaration"

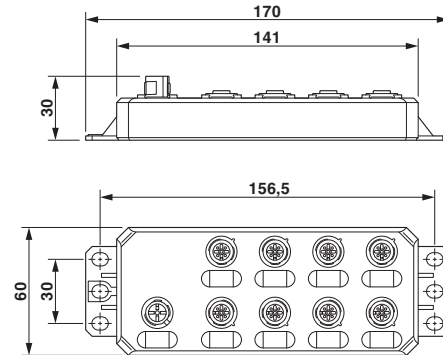
Drawings

Distributed I/O device - AXL E IOL DO8 M12 6P - 2702659

Connection diagram



Dimensional drawing



Classifications

eCl@ss

eCl@ss 10.0.1	27242604
eCl@ss 11.0	27242604
eCl@ss 4.0	27240404
eCl@ss 4.1	27240404
eCl@ss 5.0	27242204
eCl@ss 5.1	27242604
eCl@ss 6.0	27242600
eCl@ss 7.0	27242604
eCl@ss 9.0	27242604

ETIM

ETIM 3.0	EC001599
ETIM 4.0	EC001599
ETIM 6.0	EC001599
ETIM 7.0	EC001599

UNSPSC

UNSPSC 6.01	43172015
UNSPSC 7.0901	43201404
UNSPSC 11	39121311
UNSPSC 12.01	39121311
UNSPSC 13.2	32151602
UNSPSC 18.0	32151602
UNSPSC 19.0	32151602
UNSPSC 20.0	32151602
UNSPSC 21.0	32151602

Distributed I/O device - AXL E IOL DO8 M12 6P - 2702659

Approvals


Approvals


Approvals

UL Listed / cUL Listed / cULus Listed

Ex Approvals

Approval details

UL Listed		http://database.ul.com/cgi-bin/XYV/template/LISEXT/1FRAME/index.htm	FILE E 238705
Nominal voltage UN		125 V	
Nominal current IN		1 A	

cUL Listed		http://database.ul.com/cgi-bin/XYV/template/LISEXT/1FRAME/index.htm	FILE E 238705
Nominal voltage UN		125 V	
Nominal current IN		1 A	

cULus Listed			
--------------	---	--	--

Accessories

Accessories

Device marking

Snap-in markers - UCT-EM (7X10) - 0830765



Snap-in markers, Sheet, white, unlabeled, can be labeled with: TOPMARK NEO, TOPMARK LASER, BLUEMARK ID COLOR, BLUEMARK ID, BLUEMARK CLED, THERMOMARK PRIME, THERMOMARK CARD 2.0, THERMOMARK CARD, mounting type: snapped into marker carrier, lettering field size: 7 x 10 mm, Number of individual labels: 30

Distributed I/O device - AXL E IOL DO8 M12 6P - 2702659

Accessories

Network management software

Software - IOL-CONF - 1083065



IOL-CONF is a browser-based configuration software tool for the easy startup of IO-Link devices

Plug for cable screw gland

Screw plug - PROT-M12 - 1680539



An M12 screw plug for the unoccupied M12 sockets of the sensor/actuator cable, boxes and flush-type connectors
